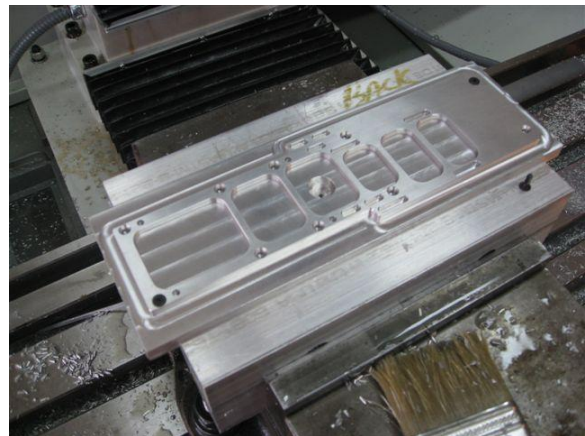
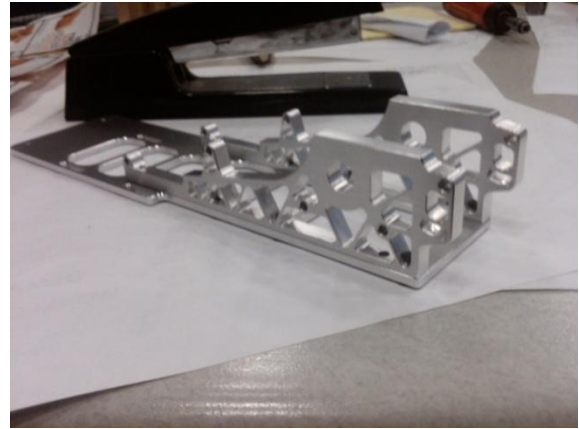


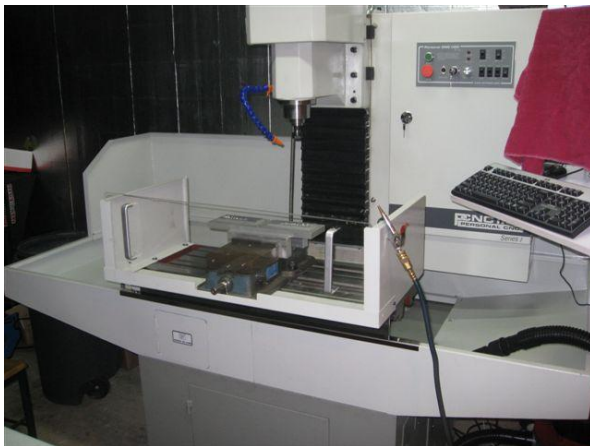
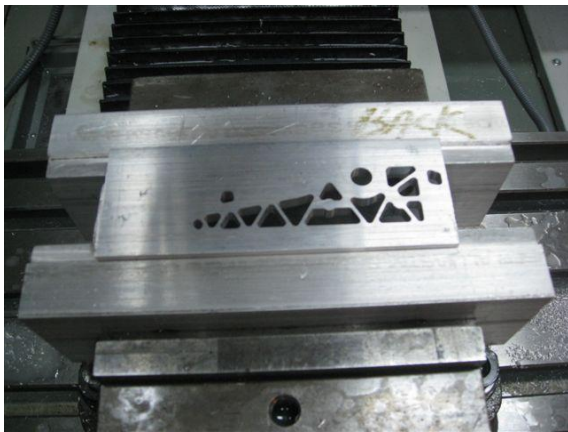
## Customer Showcase

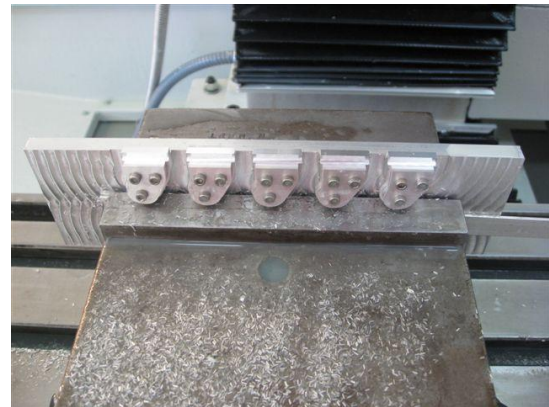
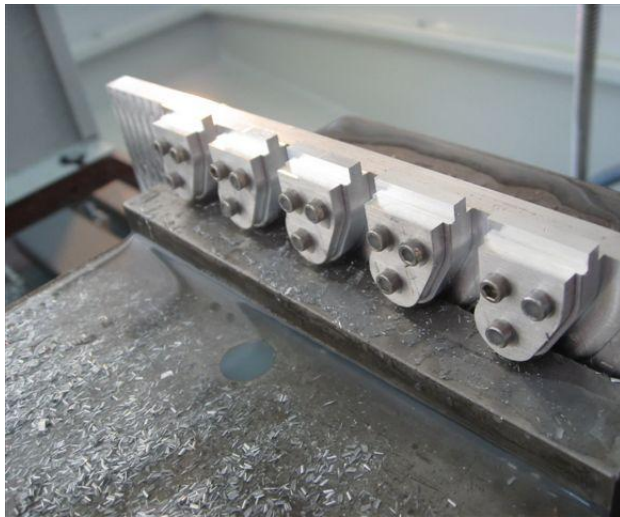
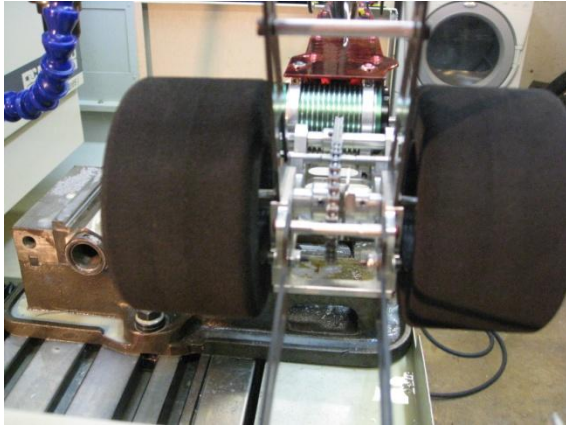
File name: CS-IloFloyd.pdf

### Background:

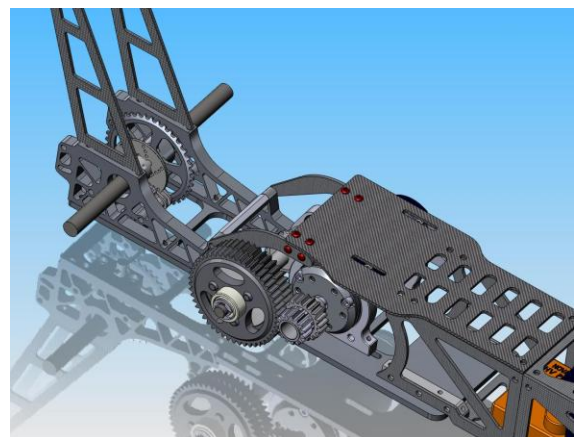
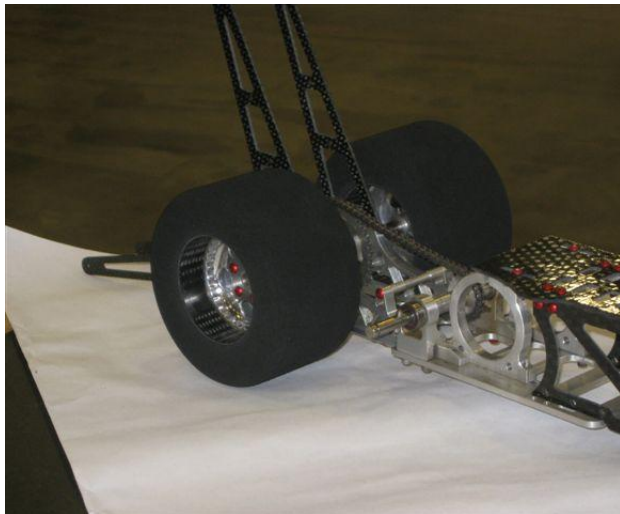
Ilo Floyd builds High Performance RC frames and drivetrains for his business RC Dragster Sports. He holds the world record for RC drag racing. They race on a 1/10<sup>th</sup> scale quarter mile track that is 132 feet long. His record is 1.49 seconds at 90 Miles per hour. The car is electric using Lithium batteries. He made this scale model drag racer frame from a single block of aluminum on his PCNC 1100, as well as the drive sprockets. He also milled the carbon fiber front end as well. Frames are available for sale at [www.urbanassaultracing.com](http://www.urbanassaultracing.com). Check out the videos there as well.



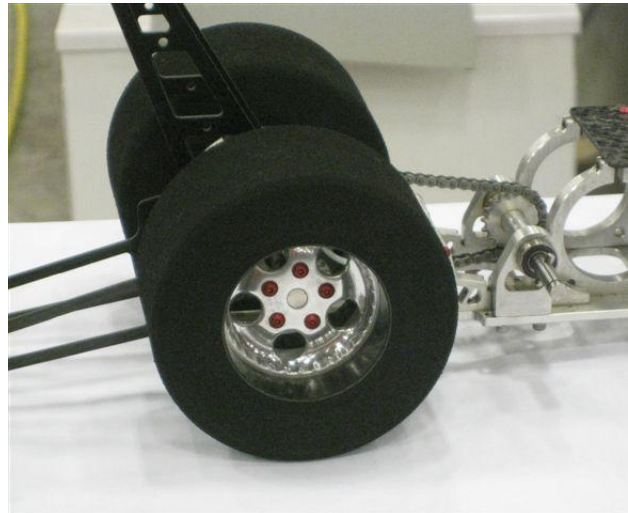
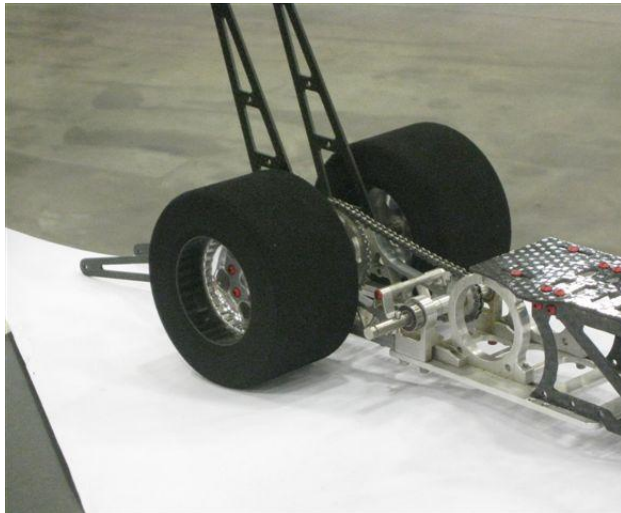
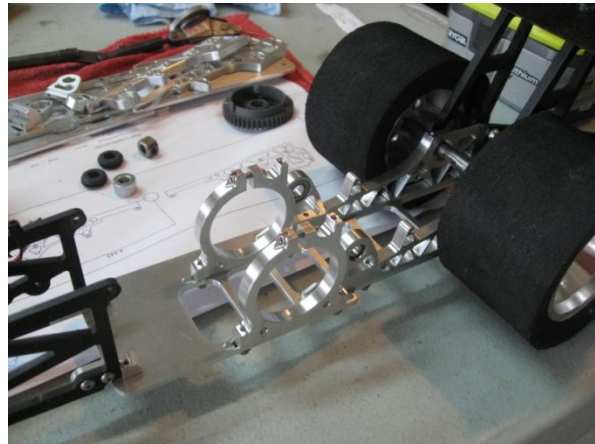
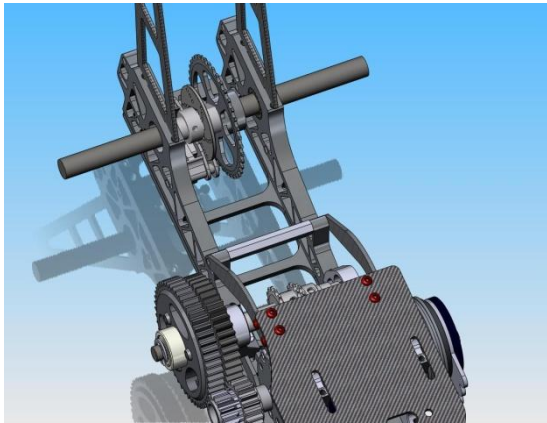
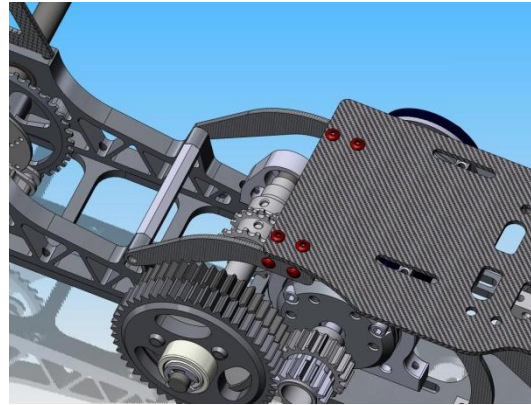
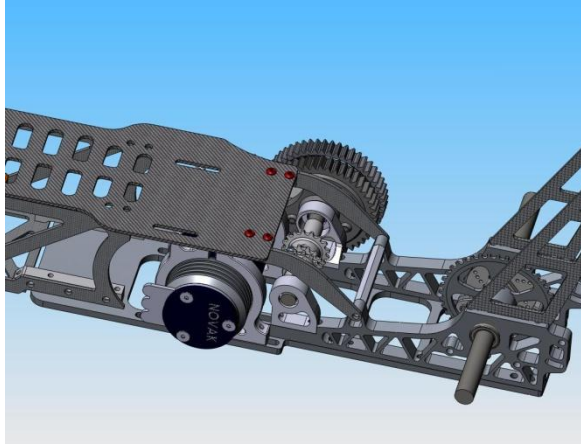


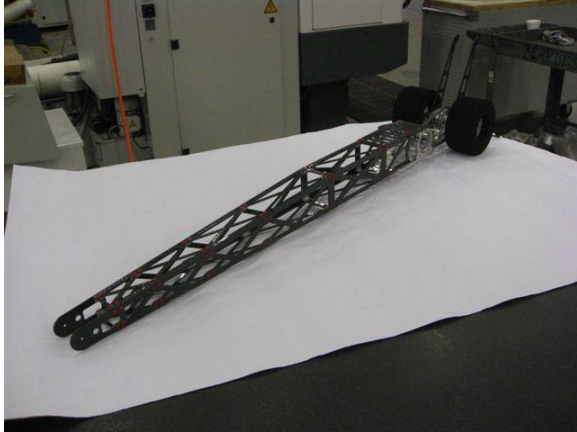


Clever fixturing

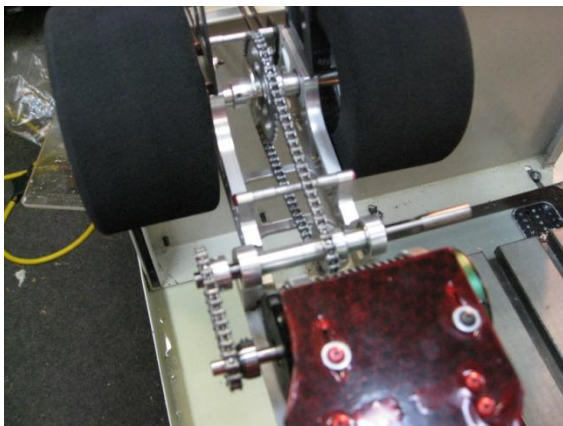
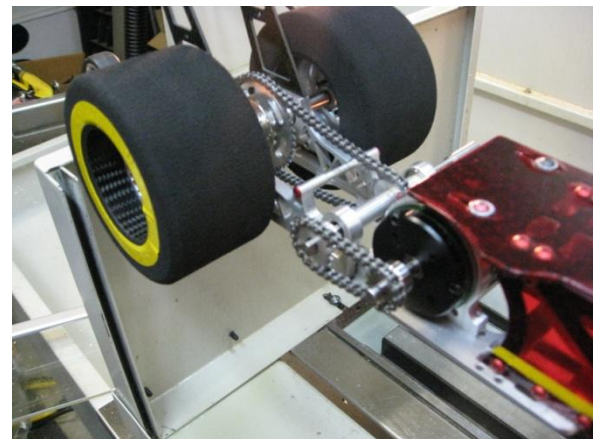
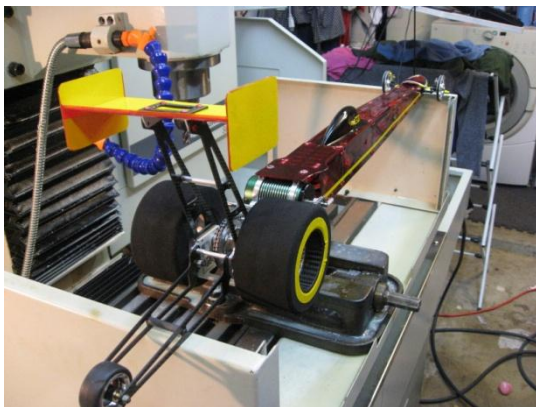
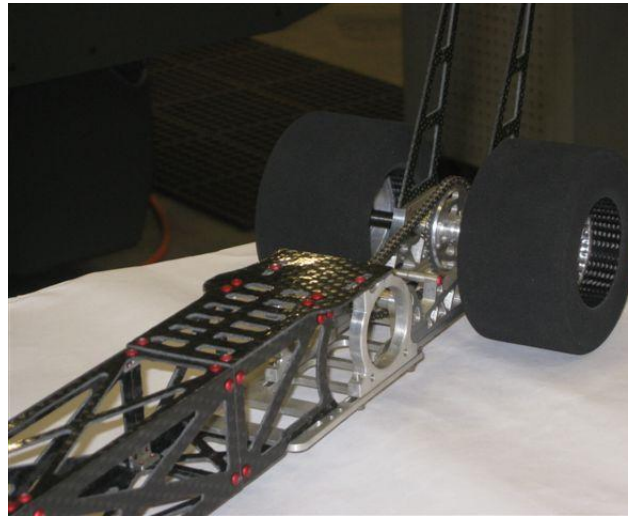


Solid Models and Assemblies





Milled carbon Fiber Front end and Spoiler



Finished Racer