

4

3

2

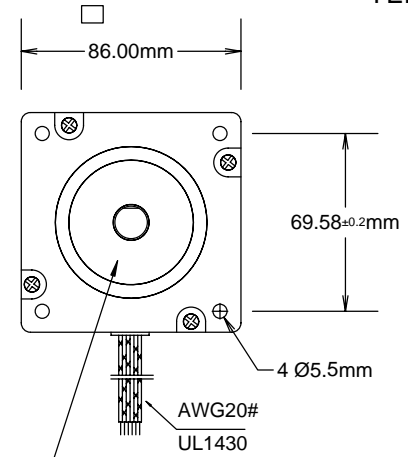
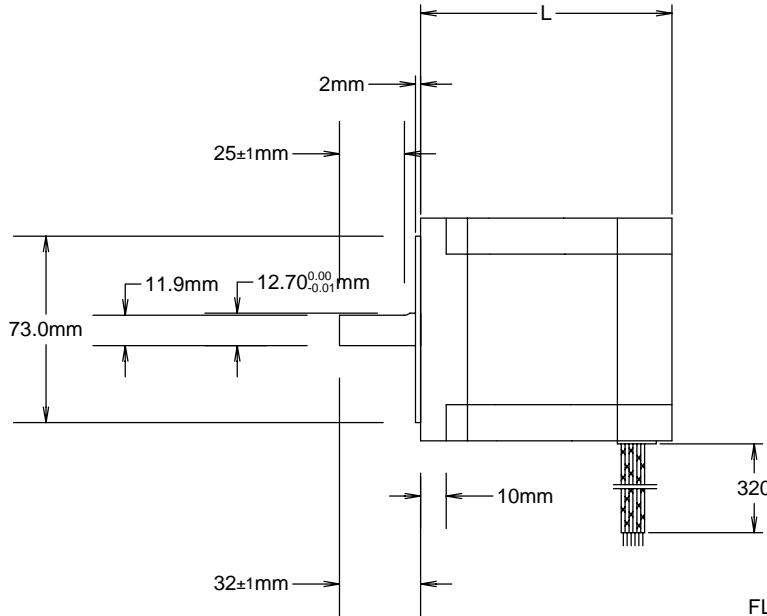
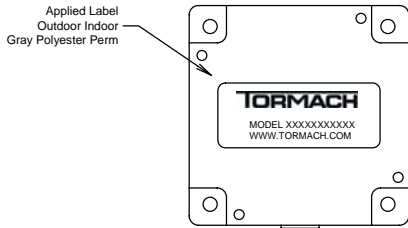
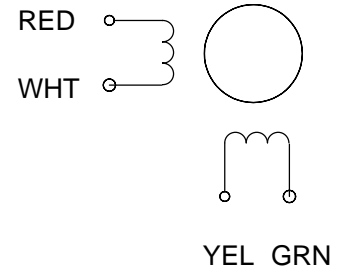
1

COMMON RATINGS

Step angle: 1.8 degrees
 Positional accuracy: +/- 3%
 Number of phases: 2
 Temperature rise: 80 C maximum
 Bearings: NSK 6003Z or similar

Dielectric strength: 500VDC
 Insulation resistance: 100 M Ohm (500VDC)
 Radial play: 0.025 mm max (load 450 g)
 Insulation class: B

Wiring Diagram



FLAT ON SHAFT

SPECIFICATIONS

Tormach Part Number	Tormach Model Number	Holding Torque (2 phases on) Nm (oz-inch) +/- 10%	Rated Current per Phase (Amps DC)	Phase Resistance (Ohms +/- 10%)	Induction (mH) +/- 20% typical	L (mm) motor length	Rotor Inertia (g-cm ²)	Weight (kg)
30141	STM34-640-STD	4.6 (640)	5.5	0.42	3.5	80	1400	2.3
30142	STM34-1200-STD	8.7 (1208)	6.0	0.45	5.1	118	2700	3.8
30157	STM34-1700-STD	12 (1700)	6.2	0.88	9.6	156	4000	5.4

revisions 03-26-04 - Added 3 stack motor & label		DATE: November 17, 2003	
TITLE TORMACH STANDARD STEPPER MOTORS			
SIZE B	CAGE CODE	DWG NO STM34-xxxx-STD	REV
SCALE			SHEET

4

3

2

1