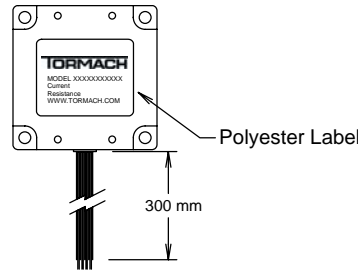
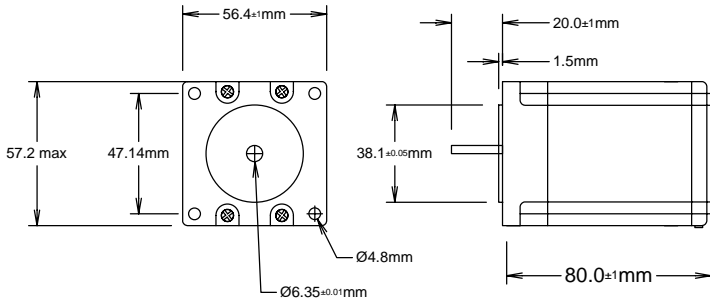
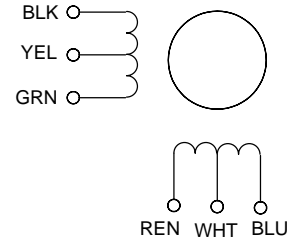


COMMON RATINGS

Step angle: 1.8 degrees
 Positional accuracy: +/- 3%
 Number of phases: 2/4
 Temperature rise: 80 C maximum

Dielectric strength: 500VDC
 Insulation resistance: 100 M Ohm (500VDC)
 Radial play: 0.025 mm max (load 450 g)
 Insulation class: B

Wiring Diagram



SPECIFICATIONS

Tormach Part Number	Tormach Model Number	Holding Torque Nm (oz-inch) +/- 10%	Rated Current per Phase (Amps DC)	Resistance (Ohms) +/- 10%	Induction (mH) +/- 20% typical	L (mm) motor length	Rotor Inertia (g-cm ²)	Weight (kg)	operation
30158	STM23-270-STD	1.9 (270)	2.8	1.34	5.73	80	480	1.0	bipolar
		1.35 (190)	4	0.62	1.43				unipolar

DATE: March 26, 2004			
TITLE TORMACH STANDARD STEPPER MOTORS SIZE 23 (57 mm)			
SIZE B	CAGE CODE	DWG NO STM23-xxxx-STD	REV
SCALE			SHEET