

# DATASHEET

## SPRUTCAM7 PRO

Part Numbers: 31729, 31730, 31406, 31731, 31732

### OVERVIEW

SprutCAM is a powerful CAM program at an affordable price, offering a full suite of powerful 3D milling path design tools, continuous motion 4th-axis programming functionality and a complete lathe module. Tormach is a full line dealer of Sprut Technology products. Contact us for pricing of any offering not listed on our website.

Included with your purchase of SprutCAM from Tormach is 1 year of support. We recognize the importance of your investment in CAM and have created an affordable, comprehensive program to enable you to meet your goals for SprutCAM with a minimum of time and wasted effort. We are dedicated to make your experience with SprutCAM a positive one.

### SPRUTCAM7 PRO:

#### *Top Features at an Affordable Price*

SprutCAM7 Pro version offers over 30 unique milling strategies, including a full suite of advanced 3D milling techniques and continuous motion 4th-axis tool path generation. Included with SprutCAM7 Pro is SprutCAM's lathe module.

SprutCAM7 Pro can import a variety of 3D CAD formats, including IGES, Parasolid, Rhino, Postscript, and many others. It includes a suite of CAD editing tools and graphical toolpath simulator as well as add-ins for direct export from Solidworks. For a complete list of features, visit: <http://www.sprutcam.com/Products/SprutCAM>

### TRY SPRUTCAM FOR YOURSELF – FREE OF CHARGE

Download a 30 day demo of SprutCAM and see how it can work for your ideas on our website at <http://www.tormach.com/documents.html>.

### TORMACH'S SUPPORT PROGRAM:

#### *Insuring your Success with Sprutcam*

We are committed to helping you realize the full potential of SprutCAM. Our exclusive support program is designed to help you start making parts quickly.

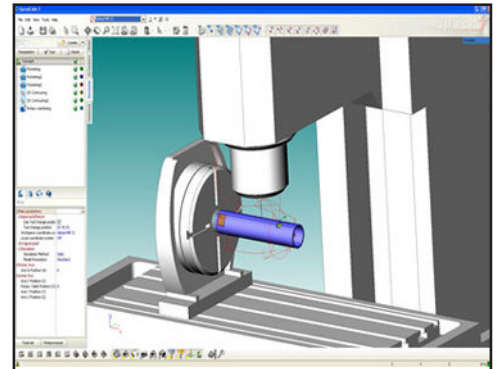


Fig. 1. 4th-axis machining

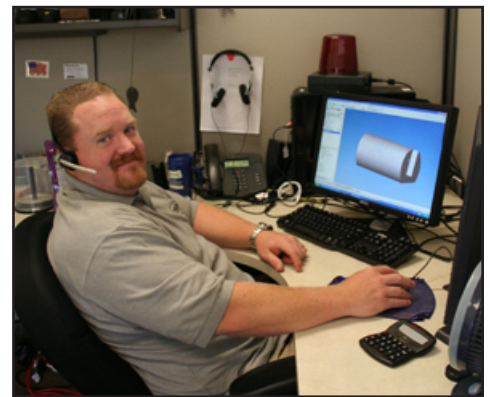


Fig. 2. SprutCAM support for your projects with Tormach's Technical Specialists

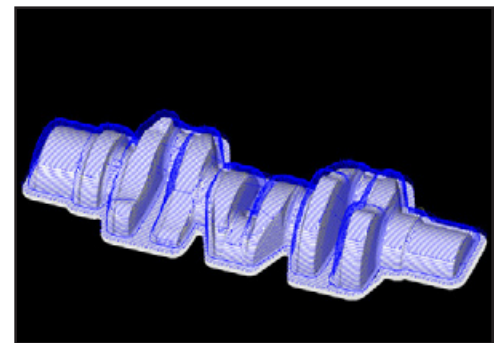


Fig. 3. 3D Finishing



[WWW.TORMACH.COM](http://WWW.TORMACH.COM)

### ENABLING YOUR IDEAS

DS\_SprutCAM.pdf • February 04, 2010  
204 Moravian Valley Road, Suite N • Waunakee, WI 53597  
Ph 608.849.8381 • Fx 209.885.4534 • © 2010 Tormach LLC

# DATASHEET

## SPRUTCAM7 PRO

Part Numbers: 31729, 31730, 31406, 31731, 31732

### OUR TEAM

Tormach's SprutCAM support is provided by an experienced staff of CAD/CAM professionals. Our support staff is comprised of full-time Tormach employees that are based in our head office.

### CONVENIENT AVAILABILITY

Email and phone support are available during normal business hours, Monday through Friday, 8AM to 5PM Central time. Our library of tutorial videos is available for viewing on the web at your convenience.

### PERSONALIZED SERVICE

Our support team's focus is to help you get the most out of your investment in SprutCAM. We are available to assist you with questions on functionality, program debugging, post processor support, etc.

### REMOTE LOGIN (EXTENDED SUPPORT ONLY)

We can connect directly to your desktop via a remote login service to help troubleshoot problems quickly and effectively.

### ADDITIONAL VALUE-ADDED SERVICES

Customized in-depth training and instruction are available by request. Please contact for pricing and options.

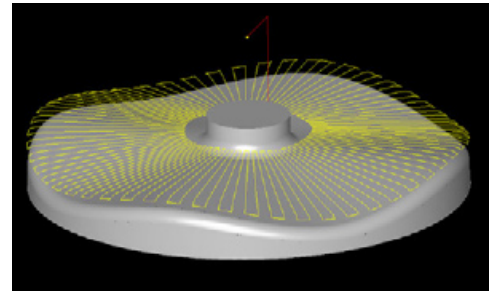


Fig. 4. Shaping a non-planar surface

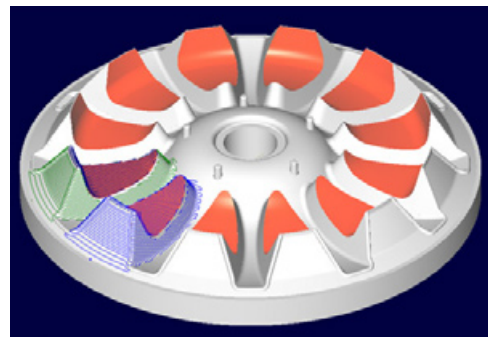


Fig. 5. ToolPath Simulation

PN	Description	Restrictions	Support Plan
31729	SprutCAM7 Pro, PCNC only posts w/support	Must be PCNC owner	1 year included
31730	SprutCAM7 Pro, All posts w/support	Must be PCNC owner	1 year included
31731	SprutCAM7 Pro Upgrade, PCNC post		
31732	SprutCAM7 Pro Upgrade, All post		
Varies	SprutCAM All Versions, All posts w/support	No Restrictions	1 year included
31406	Extended SprutCAM Support Plan	At additional cost to 31403 or 31404	1 year



WWW.TORMACH.COM

### ENABLING YOUR IDEAS

DS\_SprutCAM.pdf • February 04, 2010  
 204 Moravian Valley Road, Suite N • Waunakee, WI 53597  
 Ph 608.849.8381 • Fx 209.885.4534 • © 2010 Tormach LLC